

RUGGED ELECTRONIC PACKAGING



Customizable Features:

1. Easy bolt-on integration and grounding.
2. USB 3.0/2.0 interface. Other interfaces available upon request.
3. Packaged 2.5" SATA Solid State Drive selectable to meet program requirements
4. Sealed Mini Mil-Circular Connectors
5. +9VDC to +36VDC power input.
6. Environmentally sealed enclosure to protect against rapid decompression, EMI, humidity, dust, salt fog, immersion and condensation
7. Available encryption, secure erase, destructive erase, extended temperature and/or power protection options



MOUNTAIN SECURE SYSTEMS
RUGGED & WIRELESS SOLUTIONS
 RUGGEDIZED ELECTRONICS TO OUTLAST HARSH ENVIRONMENTS

Mesa External, Flat Mount USB Solid State Drive

The Mesa is an external, rugged USB memory device that bolts onto flat surfaces and contains a 2.5" SATA solid state drive.

Mountain Secure Systems (MSS) packages COTS electronics that incorporate sealed enclosures, removability, EMI/EMC shielding, extended temperature range, firmware control, conformal coating, and other techniques to meet rugged commercial and military standards, including program-specific requirements. MSS provides the most reliable rugged electronics in the marketplace. **To learn more call 888.884.9344.**

SPECIFICATIONS:			SOLID STATE DRIVE
Capacity			Selectable*
Drive Interface			USB 3.0 2.0 or SATA 2
Read Performance			250 MB Sec SATA 120 MB Sec USB 3.0 33 MB Sec USB 2.0
Write Performance			200 MB Sec SATA* 100 MB Sec USB 3.0* 26 MB Sec USB 2.0
Input Voltage			+9 to +36 Volts
Temperature (°C)	Operating	Commercial	-20 to +75*
		Extended	-40 to +85*
	Non-Operating		-55 to +95*
Shock (Gs)	MIL-STD-810, RTCA DO-160	Operating	30 @ 11ms
Vibration (Gs)	MIL-STD-810, RTCA DO-160		16 Grms Random
Humidity			0% to 100%
5% Salt Fog			336 Hours
Sand and Dust	MIL-STD-810, 510.4		Mated Connectors Withstand Effects
Fungus Resistance	MIL-STD-810, 508.5		Inert
Immersion	MIL-STD-810, 512		1 Hour
EMI ESD		EN55022 Class B EN61000-4-4 A 2kV EN61000-4-5 A 2kV	EN61000-4-6 A 10Vrms EN61000-4-2 A 8kV Air



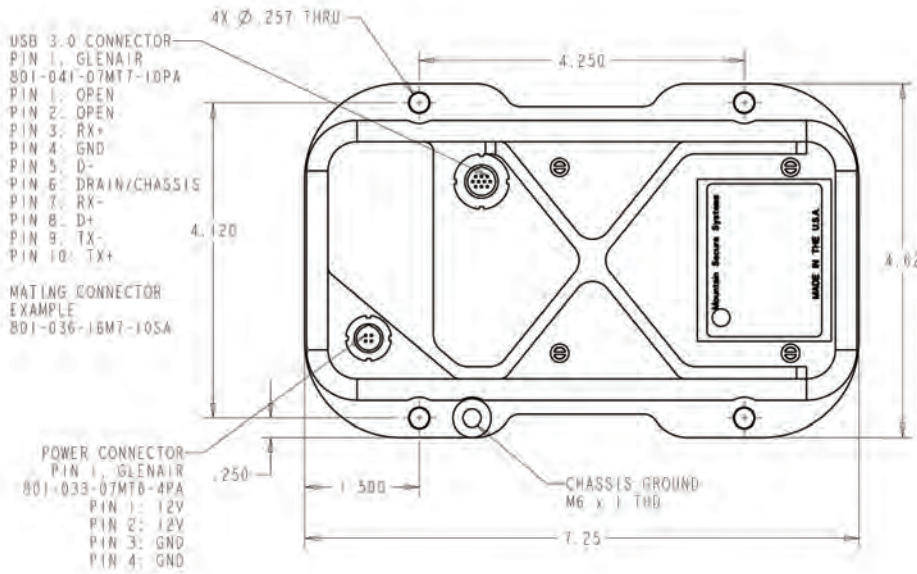
*MSS leverages the best data storage technologies available on the commercial market. Our expertise is properly ruggedizing, packaging, and integrating the memory to meet your program requirements. While we have close relationships with many of the OEM manufacturers, we are always open to utilizing your SSD choice or recommending the proper drive for your application. Capacity, MLC/SLC, speed, operating temperature and other performance characteristics may be dependent on drive selection.

MESA FLATMOUNT SPECIFICATIONS CONTINUED

PHYSICAL:	SOLID STATE DRIVE
Dimensions	0.75"H x 7.25"W x 4.62"D
Weight*	1.1 lbs.

*Depends on SSD selected. For SWAP applications, the unit weight could be reduced.

MESA FLATMOUNT



MATING CONNECTOR
EXAMPLE
801-007-16M6-4-SA

