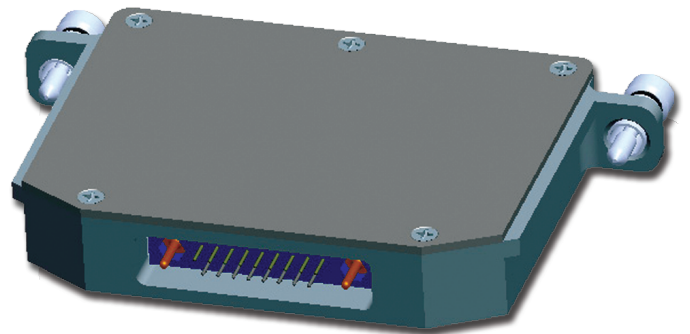
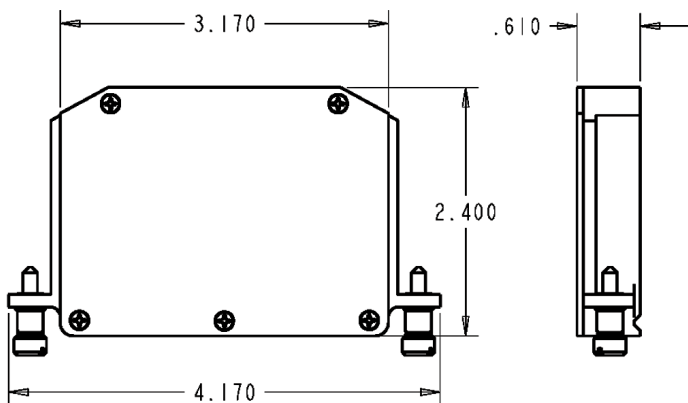


## Rugged Solid State: MINI-ALP

The **Mountain Secure Systems Mini-Alp Series** is a conduction cooled, ruggedized package with a 120 GB MLC mSATA Solid State Drive. The internal interface is a mini PCIe connector routed through an impedance matched, conformal coated PCBA to a rugged blind mate connector rated to 100,000 installation cycles. The rugged SSD packaging protects the drives during handling between the host system and storage location. The SSD enclosure is designed for easy installation and removal, without using tools, and utilizes captive thumb screws for securing the device. Multiple external interface outputs are available, depending on the 30mm x 50 mm mini SSD device used, such as SATA, PCIe and USB. **To learn more, call us at 888.884.9344.**

### ALP SERIES SPECIFICATIONS

Size	4.1" x 2.4" x 0.61"
Weight	~180 grams
Power Input	5VDC, 2 Watts max
Interfaces	SATA USB (option available) PCIe (option available)
Capacity	120GB MLC or 64GB SLC SATA
Read Performance	Up to 250 MB/Sec SATA
Write Performance	Up to 210 MB/Sec SATA
MTBF	8-years at 100GB/day write (MLC) >1,000,000 hours (SLC) at 25 C
Operational Temperature	-40 C to +85 C
Altitude	70,000 ft
Shock	50g's @ 11 ms
Vibration Operating	16 Grms
Humidity	95% non-condensing



MADE IN THE USA  
SDVOSB  
CAGE CODE: 09FR8  
9001:2008  
AS9100C  
J-STD-001



©2011 Mountain Secure Systems, a Subsidiary of Phillips Service Industries

1350 Kansas Avenue,  
Longmont, CO 80501 USA  
888-884-9344

[MountainSecureSystems.com](http://MountainSecureSystems.com)

[facebook.com/MountainSecureSystems](https://facebook.com/MountainSecureSystems)  
[twitter.com/MtSecureSystems](https://twitter.com/MtSecureSystems)

MSS-12-122 11/2011